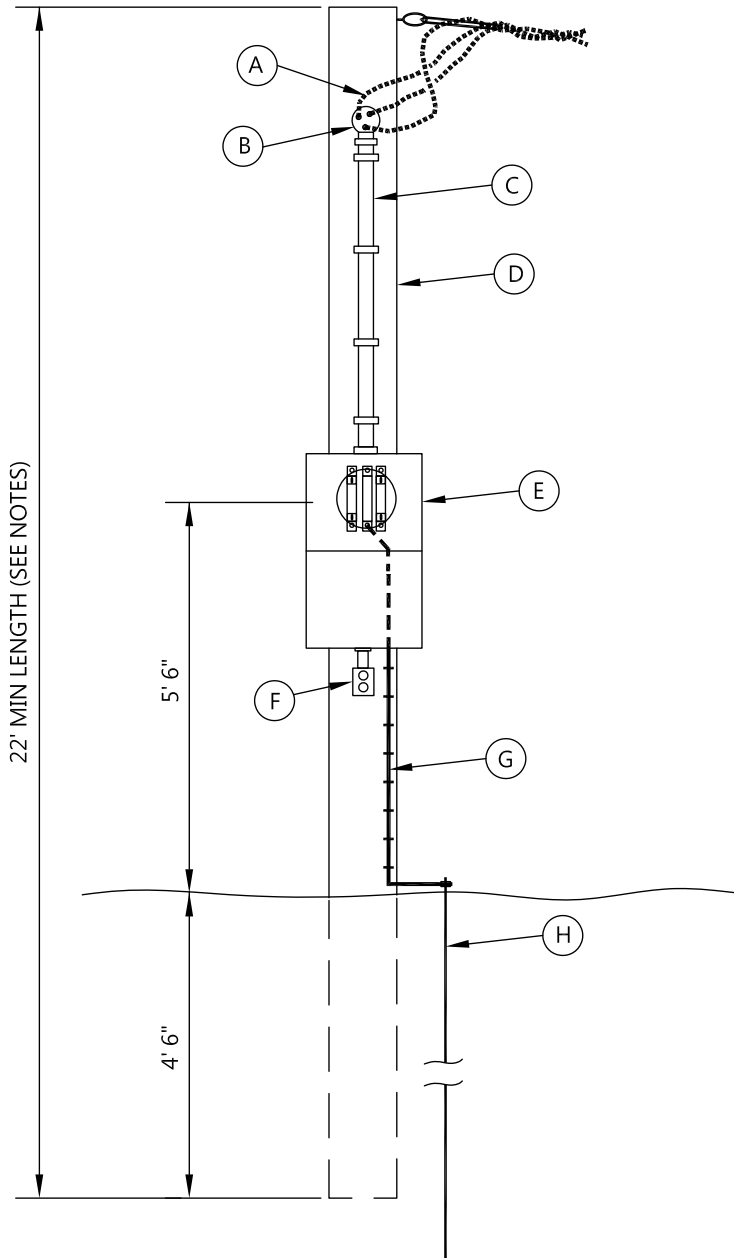


Overhead Meter Pole

Please call 811 or 1-800-227-6477 72 hours in advance of digging in the vicinity of underground power lines.



- (A) Service entrance conductors sized according to load and code requirements. Service entrance tail should extend at least 18" beyond the weather-head.
- (B) Rain tight weather-head located within 18" from top of pole.
- (C) Conduits enclosed in schedule 80 PVC, EMT, or rigid metal conduit.
- (D) 22-foot minimum length pressure treated pole (creosote, Penta or CCA). 5" minimum diameter at point of attachment and 6" minimum diameter at groundline. A 6" x 6" treated timber is acceptable.
- (E) Meter base.
- (F) Weatherproof breaker panel and receptacles sized according to load and code requirements. All 125 volt receptacles must be ground fault protected and installed in a weather proof receptacle box and cover.
- (G) No. 4 solid copper ground wire.
- (H) 8-foot ground rod or approved grounding electrode with approved ground clamp as required by the National Electric Code (5/8" solid ground rod or 3/4" galvanized pipe).

Local Zoning and Permitting Information

Moss Point	228-475-0300	D'Iberville	228-392-7966
Ocean Springs Planning	228-875-4415	Jackson County Planning	228-769-3057
Ocean Springs Building	228-875-6712	Commission	
Pascagoula	228-938-6620	Harrison County Planning	228-832-1622
Gautier	228-497-1878	Commission	

Conductor Types and Sizes

RH-RHH-RHW-THHW-THW-THWN-THHN-XHHW-USE

Copper	Aluminum and Copper-Clad Aluminum	Service Rating in Amps
#6	#4	60
#4	#2	100
2/0	4/0	200
400 kcmil	600 kcmil	400

Note: All facilities and wiring must be in compliance with the National Electrical Safety Code and National Electrical Code as well as any applicable state and local laws and ordinances in the area. All work must be completed in a neat and orderly manner in accordance with accepted wiring practices before electric service connections are made.